



STANDARD SPECIFICATIONS

Performance

| | |
|--------------------------|---------------------------------|
| Platform Height | 32-ft 3-in / 9.83-m |
| Horizontal Outreach | 14-ft 9-in / 4.55-m |
| Up and Over Height | 22-ft 8-in / 6.95-m |
| Swing | 345 Degrees Non-continuous |
| Platform Capacity | 500-lb / 227-kg |
| Platform Size | 27.5 x 41.3-in / 70 x 105-cm |
| Weight* | 10,140-lb / 4,600-kg |
| Ground Bearing Pressure | 185 psi / 13 kg/cm ² |
| Ground Clearance | 3.9-in / 10-cm |
| Drive Speed (Stowed) | 3.4 mph / 5.5 km/h |
| Drive Speed (Elevated) | 0.47 mph / 0.76 km/h |
| Gradeability | 25% |
| Turning Radius (Inside) | 2-ft 5-in / 0.75-m |
| Turning Radius (Outside) | 8-ft 5-in / 2.60-m |

*Certain options or country standards increase weight

Power Source

| | |
|-----------|--------------------|
| Batteries | 48V DC, 260 amp-hr |
| Charger | 20 amps |

Brakes

Spring Applied Disc

Tires

18 x 7 x 12.12 Non-Marking

KEY SPECS

Platform Height
32-ft 3-in / 9.83-m

Up and Over Reach
22-ft 8-in / 6.95-m

Horizontal Outreach
14-ft 9-in / 4.55-m

Platform Capacity
500-lb / 227-kg

KEY FEATURES

- Reach up and over obstacles in tight spaces with a vertical telescopic mast with a jib.
- Equipped for indoor jobs with standard non-marking tires and efficient electric power, and for outdoor work with 25% gradeability.
- Unmatched positioning capabilities with a 345 degree rotating mast.
- Optimum battery life and more duty cycles with AC direct electric drive.

STANDARD FEATURES

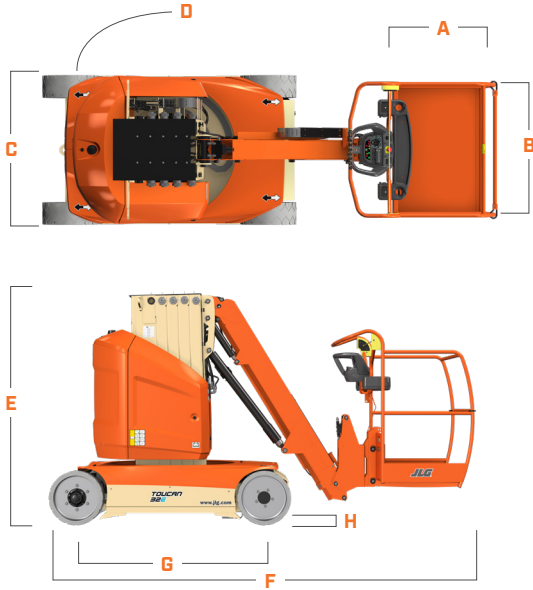
- 110V-AC Receptacle in the Platform
- 345 Degree Non-continuous Swing
- 5 Degree Tilt Alarm/Indicator Light
- All Motion Alarm
- Battery Condition Indicator
- Emergency Lowering Pump
- Horn
- Hourmeter
- Lifting Eyes
- Load Sensing System
- Proportional Controls
- Platform, Saloon Gate
- SkyGuard SkyLine™
- Tie-down Lugs
- Warning Beacon

ACCESSORIES & OPTIONS

- 1/2-in Airline
- 70W Platform Work Light
- Batteries, 48V AGM
- ClearSky™ Legacy Telematics
- Platform, Drop Bar

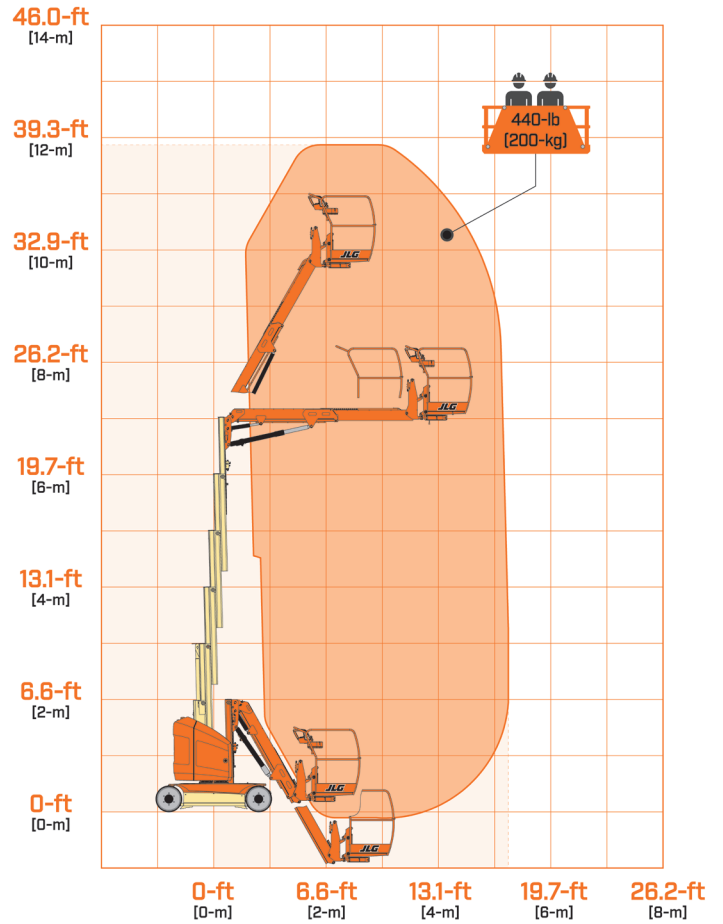
DIMENSIONS

All dimensions are approximate



- A.** Platform Width 41.3-in / 1.05-m
- B.** Platform Length 27.5-in / 0.70-m
- C.** Machine Width 3-ft 9-in / 1.20-m
- D.** Tailswing 5.9-in / 15-cm
- E.** Machine Height 6-ft 5-in / 1.99-m
- F.** Machine Length 12-ft / 3.65-m (Drop Bar)
- G.** Wheelbase 5-ft 3-in / 1.60-m
- H.** Ground Clearance 3.9-in / 10-cm

REACH DIAGRAM



We provide coverage for one (1) full year, and cover all specified major structural components for five (5) years. Due to continuous product improvements, we reserve the right to make specification and/or equipment changes without prior notification. This machine meets or exceeds applicable ANSI and CSA requirements based on machine configuration as originally manufactured for intended applications. Please reference the serial number plate on the machine for additional information.



JLG INDUSTRIES, INC.
 Toll-free US 877-JLG-LIFT
JLG.com
 An Oshkosh Corporation Company