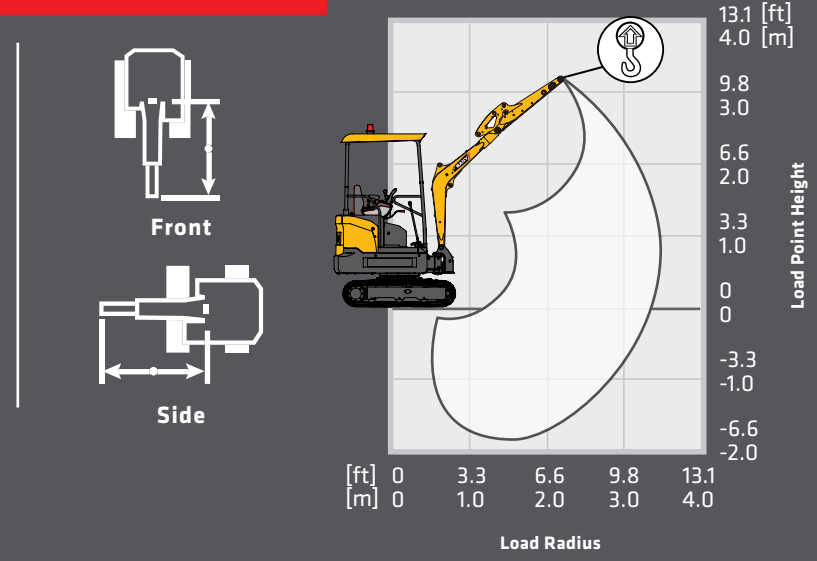


SY16C LIFTING PERFORMANCE

- Standard 5'11" (1 810 mm) Boom
- Standard 3'8" (1 130 mm) Arm
- Standard 9" (230 mm) Track Shoes
- Maximum 3'8" (1 120 mm) Track Gauge
- No Bucket

Ratings are based on ISO 10567:2007. Lift capacity does not exceed 75% of tipping load with the machine on firm, level ground or 87% of hydraulic lifting capacity.



BLADE DOWN

LOAD RADIUS	4.9 ft 1.5 m		6.6 ft 2.0 m		8.2 ft 2.5 m		9.8 ft 3.0 m		MAX REACH	
LOAD POINT HEIGHT										
9.8 ft 3.0 m									627 lb* 285 kg*	627 lb* 285 kg*
6.6 ft 2.0 m					587 lb* 267 kg*	557 lb 253 kg	596 lb* 271 kg*	596 lb* 271 kg*	612 lb* 278 kg*	612 lb* 278 kg*
3.3 ft 1.0 m			1,063 lb* 483 kg*	1,063 lb* 483 kg*	816 lb* 371 kg*	814 lb 370 kg	695 lb* 316 kg*	673 lb 306 kg	634 lb* 288 kg*	537 lb 244 kg
0 ft 0 m	1,817 lb* 826 kg*	1,817 lb* 826 kg*	1,388 lb* 631 kg*	1,162 lb 528 kg	1,003 lb* 456 kg*	843 lb 383 kg	785 lb* 357 kg*	649 lb 295 kg	669 lb* 304 kg*	554 lb 252 kg
-3.3 ft -1.0 m	1,802 lb* 819 kg*	1,802 lb* 819 kg*	1,239 lb* 563 kg*	1,164 lb 529 kg	895 lb* 407 kg*	840 lb 382 kg			700 lb* 318 kg*	700 lb* 318 kg*

BLADE UP

LOAD RADIUS	4.9 ft 1.5 m		6.6 ft 2.0 m		8.2 ft 2.5 m		9.8 ft 3.0 m		MAX REACH	
LOAD POINT HEIGHT										
9.8 ft 3.0 m									627 lb* 285 kg*	627 lb* 285 kg*
6.6 ft 2.0 m					557 lb 253 kg	557 lb 253 kg	596 lb* 271 kg*	596 lb* 271 kg*	594 lb 270 kg	612 lb* 278 kg*
3.3 ft 1.0 m			1,063 lb* 483 kg*	1,063 lb* 483 kg*	814 lb 370 kg	814 lb 370 kg	651 lb 296 kg	673 lb 306 kg	517 lb 235 kg	537 lb 244 kg
0 ft 0 m	1,784 lb 811 kg	1,817 lb* 826 kg*	1,131 lb 514 kg	1,162 lb 528 kg	816 lb 371 kg	843 lb 383 kg	627 lb 285 kg	649 lb 295 kg	535 lb 243 kg	554 lb 252 kg
-3.3 ft -1.0 m	1,802 lb* 819 kg*	1,802 lb* 819 kg*	1,131 lb 514 kg	1,164 lb 529 kg	814 lb 370 kg	840 lb 382 kg			700 lb* 318 kg*	700 lb* 318 kg*

* Indicates load limited by hydraulic lifting capacity
In the interest of continual equipment development, SANY America Inc. reserves the right to change these specifications at any time without prior notification.

SY16C PRODUCT SPECIFICATIONS SANY

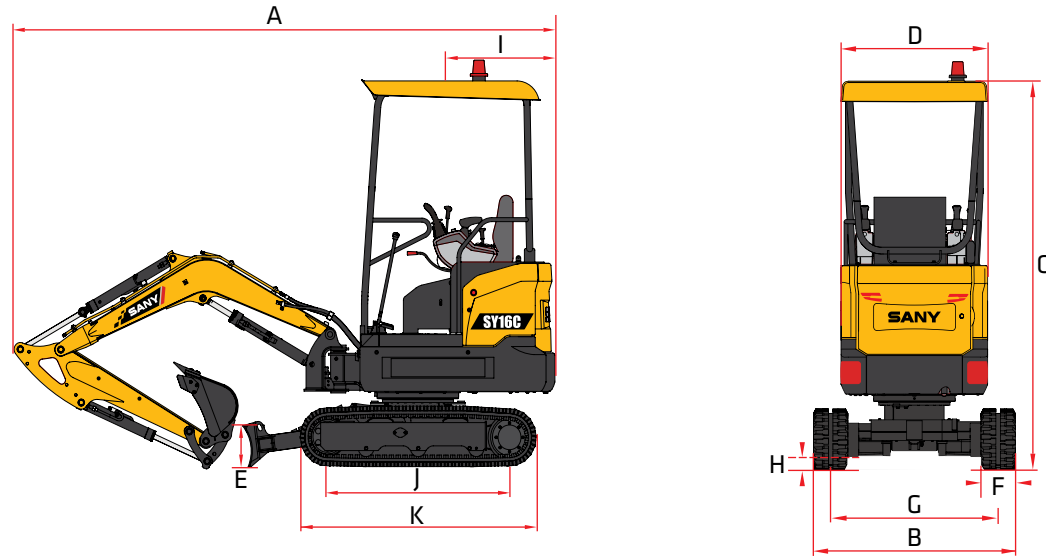


STANDARD FEATURES

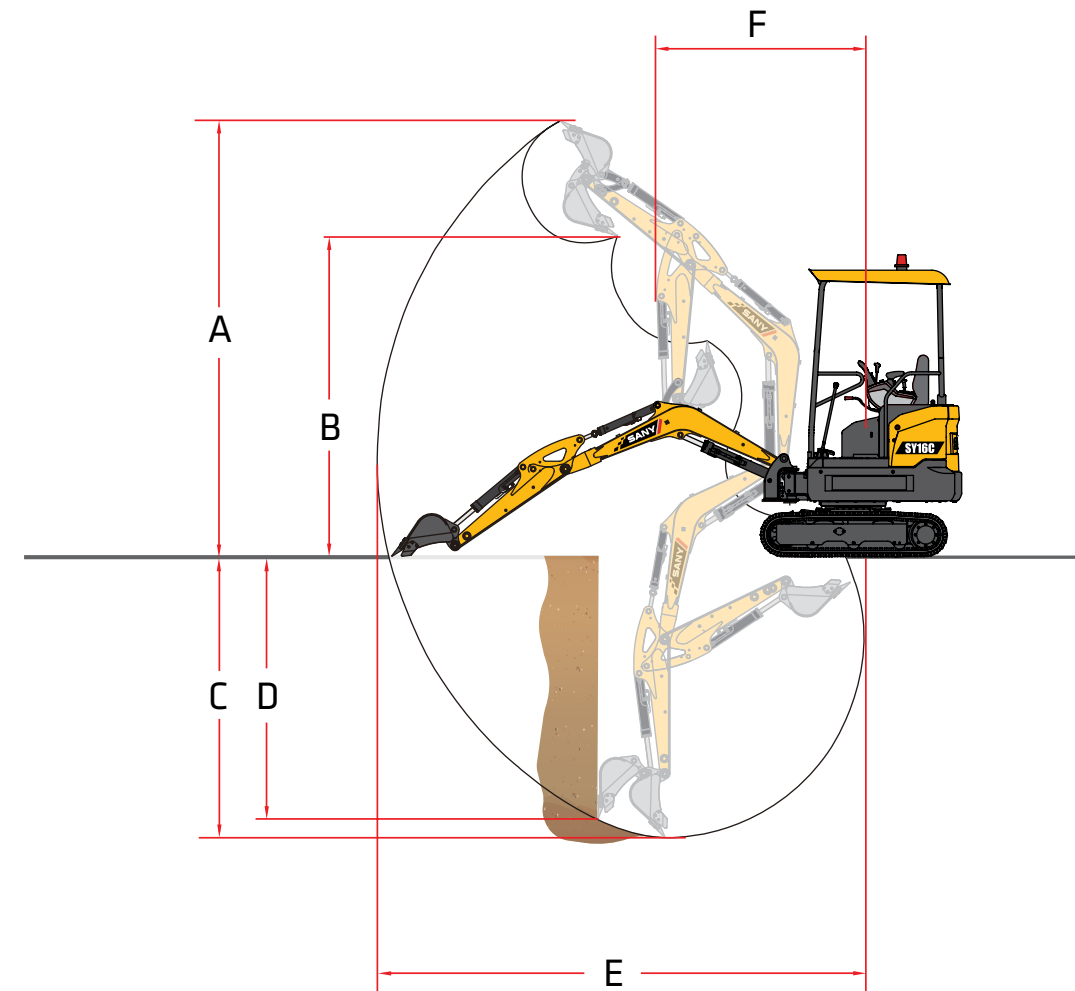
- Short Tail Swing
- Boom Swing Functionality Allows for Offset Digging in Confined Areas
- Load-Sensing Hydraulic System Provides Increased Efficiency and Control
- Powerful Yanmar Engine

- Gross Power **15 hp**
- Dig Depth **7' 9"**
- Operating Weight **4,023 lb**
- Bucket Breakout **3,417 lbf**

DIMENSIONS



WORKING RANGE



Simple to operate. Easy to transport. Compact design.

TECHNICAL SPECIFICATIONS

Operating Weight	4,023 lb	1 825 kPa
Ground Pressure	4.2 psi	29.1 kPa
Engine	Yanmar 3TNV80F-SPSK	
Displacement	60.6 in ³	1.0 L
Gross Power	15 HP	11.2 kW
Hydraulics	Load Sensing with Pilot Control	
Main Hydraulic Pump	Axial Piston – Variable Displacement	
Operating Flow (maximum)	12.7 gal/min	48.0 L/min
Operating Pressure (maximum)	3,553 psi	24.5 MPa
Auxiliary Flow (maximum)*	11 gal/min	40 L/min
Auxiliary Pressure (maximum)	3,626 psi	25 MPa
Travel Motor	Axial Piston	
Travel Pressure (maximum)	3,553 psi	24.5 MPa
Travel Speeds (maximum)	1.3 / 2.3 mph	2.1 / 3.7 km/hr
Travel Effort (maximum)	3,507 lbf	15.6 kN
Grade Capability (maximum)	35°	
Swing Motor	Axial Piston	
Swing Pressure (maximum)	2,350 psi	16.2 MPa
Swing Speed (maximum)	10 RPM	
Undercarriage (standard)	Belted Rubber Track	
Track Shoe Width (standard)	9"	230 mm
Track Rollers (per side)	3	
Carrier Rollers (per side)	-	

DIMENSIONS

Boom Length	5' 11"	1810 mm
Stick (Arm) Length	3' 8"	1130 mm
A Transport Length	11' 9"	3 575 mm
B Transport Width	3' 3" / 4' 5"	980 / 1 350 mm
C Transport Height	7' 11"	2 420 mm
D Upper Structure Width	3' 3"	980 mm
E Blade Height	11"	270 mm
F Track Width (standard shoe)	9"	230 mm
G Track Gauge	2' 6" / 3' 8"	750 / 1 120 mm
H Ground Clearance (minimum)	7"	180 mm
I Tail Swing Radius	3' 0"	920 mm
J Track Length on Ground	4' 0"	1 220 mm
K Track Length	5' 2"	1 585 mm

SERVICE REFILL CAPACITIES

Fuel Tank Capacity	5.3 gal	20.0 L
Hydraulic Tank Capacity	5.5 gal	21.0 L
Engine Oil Capacity	0.5 gal	2.0 L
Cooling System Capacity	1.0 gal	3.8 L

WORKING RANGE

Boom Length	5' 11"	1 810 mm
Stick (Arm) Length	3' 8"	1 130 mm
A Maximum Digging Height	12' 0"	3 665 mm
B Maximum Dumping Height	8' 8"	2 635 mm
C Maximum Digging Depth	7' 9"	2 360 mm
D Maximum Vertical Wall Digging Depth	7' 3"	2 215 mm
E Maximum Reach at Ground Level	13' 1"	4 000 mm
F Minimum Swing Radius	5' 5"	1 655 mm

DIGGING PERFORMANCE

Boom Length	5' 11"	1 810 mm
Stick (Arm) Length	3' 8"	1 130 mm
Bucket Breakout Force (ISO)	3,417 lbf	15.2 kN
Stick (Arm) Digging Force (ISO)	2,068 lbf	9.2 kN

*Based on theoretical calculation at max flow with no load. Subject to alterations.

In the interest of continual equipment development, SANY America, Inc. reserves the right to change these specifications at any time without prior notification. ©2022 SANY America Inc. HEXPS22SY16C001

In the interest of continual equipment development, SANY America, Inc. reserves the right to change these specifications at any time without prior notification. ©2022 SANY America Inc. HEXPS22SY16C001